



## DESCRIPTION

The PT2466 is a monolith integrated motor driver designed for gauge valves control, toy or power electronic locks. The overall performance is optimized for low supply voltage, battery-powered applications.

The superior low switches resistance ( $R_{DSon}$ ) minimized the power dissipates, therefore a small DFN and SOP-8 package is available for high current output, to prevent un-determinates miss operation, overall protections function was integrated such like over-current, under-voltage lockout and over temperature protection.

## APPLICATION

- Gauge valves
- Motor powered lenses
- Electronic locks
- Toys
- Robotics

## FEATURE

- Single H-bridge driver could drive DC brushed Motor or solenoid loads.
- 1.8 Amps maximum DC output current
- Low power switches resistance:  
0.28 $\Omega$ , high and low side both
- Dual supply power supply:
  - For control logic (VCC) : 1.8V ~ 6V
  - For motor drives (VM) : 0 to 12V
- Low power shutdown mode:
  - Less than 10nA on all supply rail.
- Small Footprint Package
  - 8-Pin DFN with Thermal PAD (2.0 X 2.0 mm)
  - 8-Pin SOP
- Fully protection function includes VCC under voltage lockout (UVLO), over current protection and thermal shutdown.

## BLOCK DIAGRAM

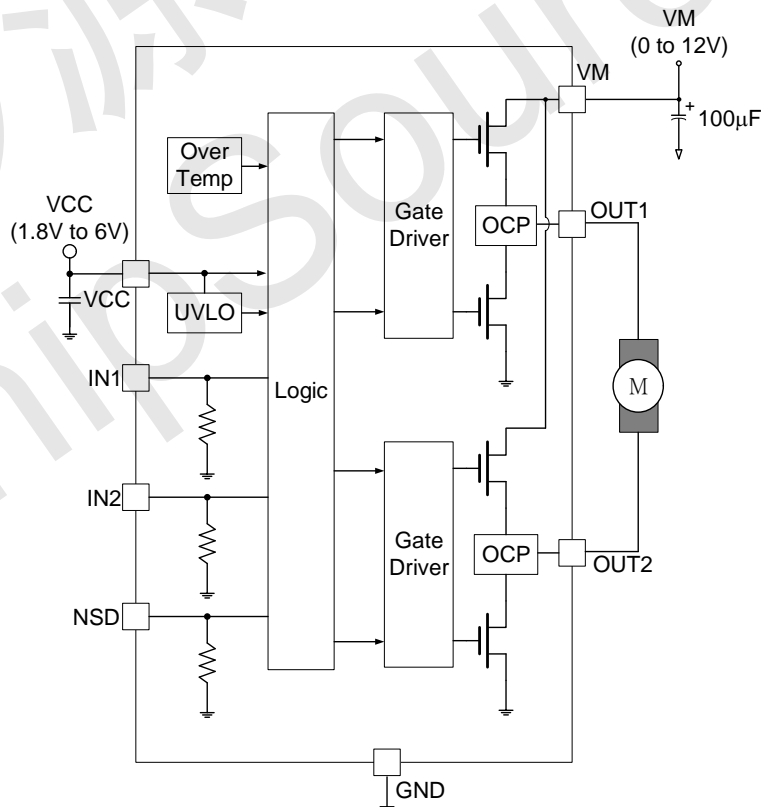


Figure 1. Function Block Diagram



## APPLICATION CIRCUIT

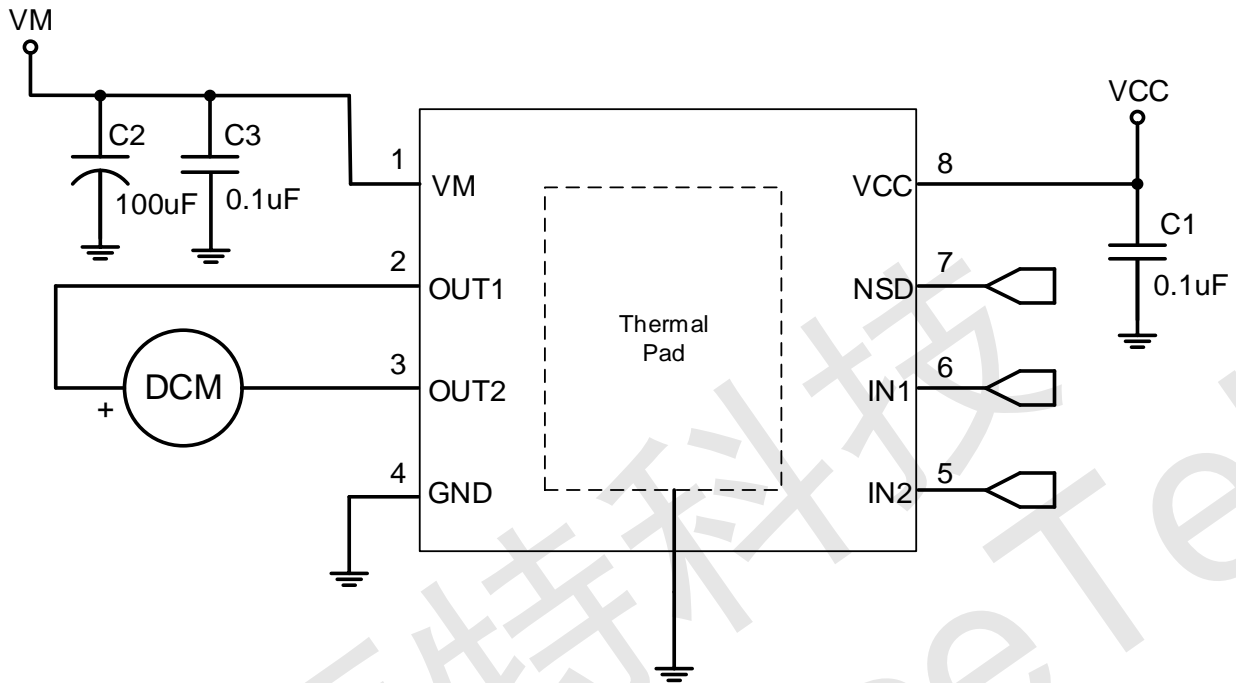


Figure 2. Schematic of Application

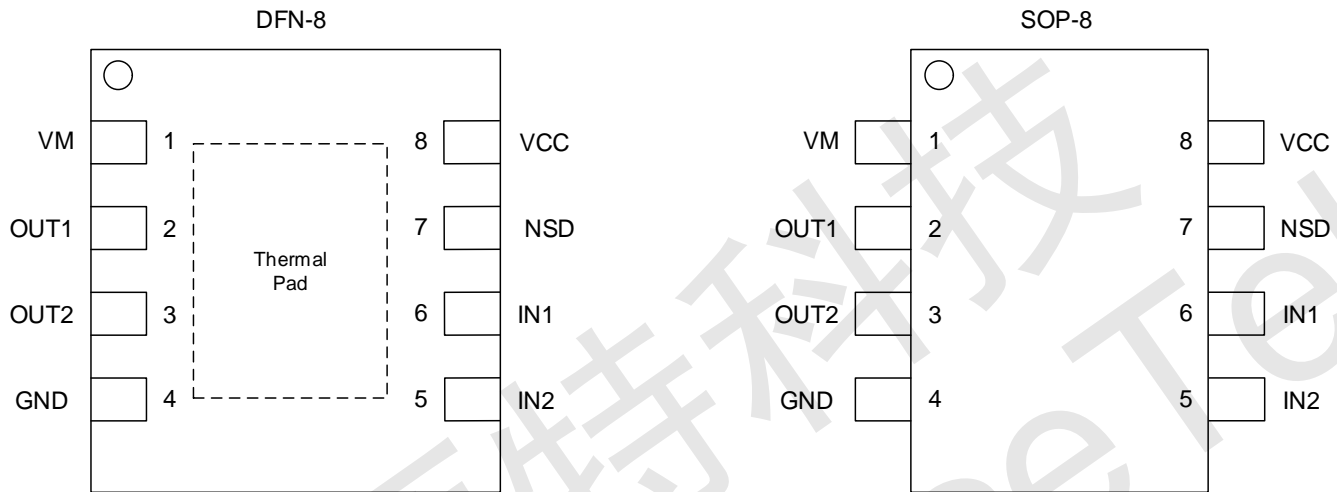
(Please refer to page 5 for bypass capacitor and PCB layout recommendation.)



## ORDER INFORMATION

Valid Part Number	Package Type	Top Code
PT2466-S	8-Pin, SOP, 150 MIL	PT2466-S
PT2466	8-Pins, DFN	2466

## PIN DESCRIPTION



Pin Name	I/O	Description	Pin No.
VM	POWER	Power supply for motor drives	1
OUT1	OUTPUT	H-bridge output 1	2
OUT2	OUTPUT	H-bridge output 2	3
GND	POWER	Ground	4
IN2	INPUT	Control logic input 2	5
IN1	INPUT	Control logic input 1	6
NSD	INPUT	Shutdown control input	7
VCC	POWER	Power supply for control logic	8



深圳市矽源特科技有限公司

ShenZhen ChipSourceTek Technology Co. ,Ltd.



## IMPORTANT NOTICE

Princeton Technology Corporation (PTC) reserves the right to make corrections, modifications, enhancements, improvements, and other changes to its products and to discontinue any product without notice at any time.

PTC cannot assume responsibility for use of any circuitry other than circuitry entirely embodied in a PTC product. No circuit patent licenses are implied.

矽源特科技  
ChipSourceTek

TEL: +86-0755-27595155 27595165

FAX: +86-0755-27594792

WEB: [Http://www.ChipSourceTek.com](http://www.ChipSourceTek.com)

E-mail: [Tony.Wang@ChipSourceTek.com](mailto:Tony.Wang@ChipSourceTek.com) [InFo@ChipSourceTek.com](mailto:InFo@ChipSourceTek.com)